

eID Online Authentication Network Threat Model, Attacks and Implications

Christian Rossow^{1,2}, Christian J. Dietrich^{1,3}, Norbert Pohlmann¹

¹ Institute for Internet Security, University of Applied Sciences Gelsenkirchen, Germany

² Department of Computer Science, VU University Amsterdam, The Netherlands

³ Department of Computer Science, University of Erlangen, Germany

ABSTRACT

TODO

1. INTRODUCTION

Since November 2010, the new electronic German ID card provides a facility to perform an online remote authentication of the ID card holder. This method is called eID online authentication and is defined in the Technical Guideline TR-03110 [3] of the Federal Office for Information Security. As part of the eID online authentication, personal data can be transmitted from the electronic ID card to its counterpart, the eID server. All data transmitted between the electronic ID card and the eID server is supposed to be subject to secure messaging.

We develop a threat model and address the feasibility of network-level man-in-the-middle attacks against the eID online authentication functionality of the new German electronic ID card. Furthermore, we perform a number of man-in-the-middle attacks against the most-widely used eCard API client implementation for the eID Service, called Ausweis-App. As personal data is increasingly valuable nowadays, we impersonate an attacker trying to intercept personal data that is transmitted as part of the eID online authentication.

The main contributions of this work are:

- We propose a threat model focussed on the network communication in the context of the eID online authentication.
- Based on this threat model, we describe the prerequisites of man-in-the-middle attacks and develop the required tools to perform such attacks.
- We provide the results of performing MITM attacks against the most-widely used combination of eID client application and eID server.

This paper is structured as follows. In Section 2, we will give an overview of our threat model. Section 3 describes the prerequisites for man-in-the-middle attacks against several communication channels of the eID online authentication. We will then provide the results of attacks that we performed against the most-widely used combination of eID components in Section 4. Based on the attack results, we suggest practical implications in Section 5. Finally, related work is discussed in Section 6 and we provide a conclusion in Section 7.

2. THREAT MODEL

Our threat model is based on the general architecture of the eID online authentication outlined in [5] and shown in Figure 1. We differentiate between a *channel* and a *connection*. A *channel* denotes a set of connections which share source and destination entities as well as the cipher suite and, if applicable, credentials, e.g. pre-shared key.

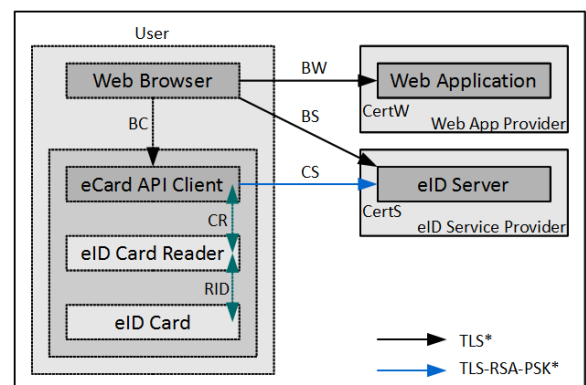


Figure 1: eID Service Architecture

The eID online authentication provides a secure way to mutually authenticate a web application and an end user. From a security point of view, this has two major advantages. First, the authentication of the web application against the user proves that the user communicates with a benign web site, trying to prevent from service forgery attacks such as phishing. Second, the authentication of the end user enables the web application to *reliably* read personal data from an eID card, such as e.g. name and address, age or a site-specified identifier that could be used as login name.

The most important network channels involved in the eID

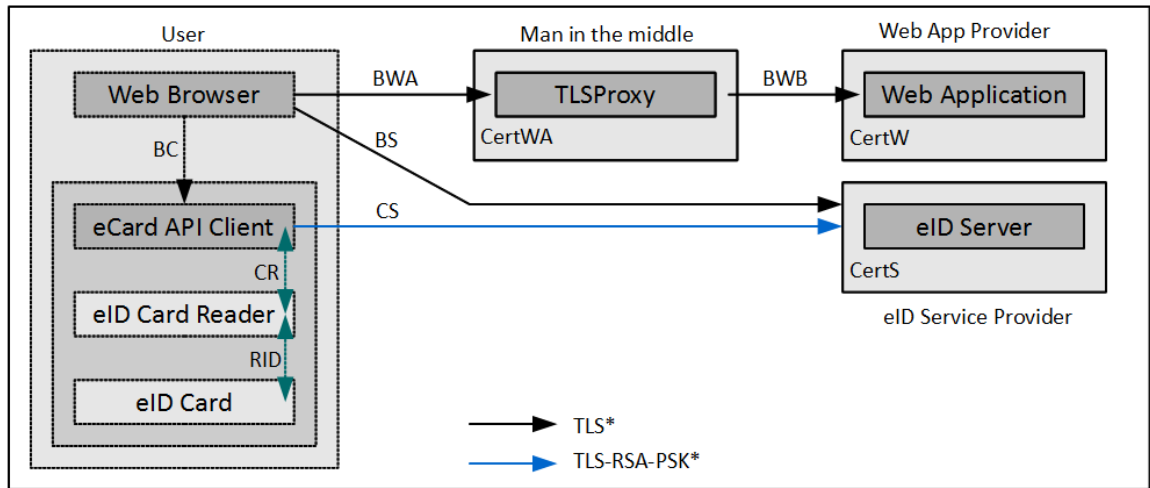


Figure 2: Man-in-the-middle attack on BW

online authentication are depicted in Figure 1 as solid lines. Black lines symbolize channels secured by Transport Layer Security (TLS [6]), blue lines symbolize channels secured by TLS with RSA-PSK cipher suites [9]. The channel BW is the very first channel initiated by the user in order to use a certain web application, e.g. a webshop or a bank. In order to initiate the eID online authentication, the web browser connects to the eID server using the TLS channel BS . The eID server returns a trigger object in BS that causes the eCard API client application to connect to the eID server using channel CS . The trigger object contains a pre-shared secret as well as a client identity. Both of these credentials are required to successfully establish CS using a special set of cipher suites that combine certificate based peer authentication with pre-shared key as key exchange (TLS-RSA-PSK).

If all connections are established successfully, Terminal and Chip Authentication [3] are performed resulting in secure messaging between the eID card and the eID server. Thus, on top of the TLS channel CS , there is an end-to-end secure messaging channel between the eID card and the eID server. In a successful eID online authentication, the personal data is transmitted from the eID card through the secure messaging channel on top of the TLS channel CS to the eID server. However, usually the web application needs the personal data (or parts thereof), thus the personal data is forwarded via BS and BW to the web application. At some points Terminal Authentication and the TLS channels are intertwined which will later be described in more detail. This binding aims at preventing intercepting or manipulating the personal data even in the channels BS and BW .

Our network-oriented threat model is based on the following preconditions:

1. The attacker does not have local system-level access on the user's system.
2. The attacker does not have local system-level access on the intended eID server nor on the web application server.

3. The attacker can trigger the browser and the client application to connect to a destination specified by the adversary, e.g. via social engineering or DNS spoofing.
4. The attacker is able to connect to any eID server as well as any web application server.
5. The attacker is positioned in a way that packets of any connection between the user and the web application provider or the eID service provider flow through the attacker's system.

As our threat model is centered on the network communication, it covers multiple attack goals. As an example, an attacker might want to break any of the channels BW , BS and CS in order to intercept personal data that is transmitted during an online authentication. Another example would be to break the channel CS in order to exploit possible weaknesses of the eCard API client application. In addition, although the eID infrastructure is designed to prevent from phishing attacks, an attacker could try to intervene in channel BW and perform session hijacking.

We define our threat model to comprise the three channels BW , BS and CS as well as the triggering of the eCard API client BC shown in Figure 1. Oepen and Morgner [10] have shown that relay attacks where the attacker is positioned between the eID card API client application and the card reader on the user's system (CR and RID in Figure 1) can successfully be launched. However, as these attacks require the attacker to have local system access on the user's system, they are out of scope of this work.

In the following, we look into attacks on the network channels based on our threat model.

3. ATTACK PREREQUISITES

In order to be able to perform man-in-the-middle attacks on the channels BW , BS and CS between the user's system and the eID server components, several requirements must be met. The channels BW and BS use TLS with X.509 certificates as required by the eCard API framework [4]. Thus,

sages at will. However, as will be shown later, additional means prevent that personal data is actually transmitted over the intercepted channel. For now, we sum up:

- The channel BW is split in two sub-channels, BWA and BWB .
- Messages transmitted between the browser and the web application are proxied by the attacker and message contents of the TLS layer is available in the attacker’s TLS proxy.
- Phase one of the man-in-the-middle attack is completed successfully.

Analogously, a man-in-the-middle attack on BS is performed in a similar manner.

4.2 Attacks on CS

Intercepting the TLS-RSA-PSK channel CS between the eCard API client application and the eID server is similar to the man-in-the-middle attack on BW described above. Additionally, the attacker needs the credentials used in the pre-shared key handshake. These credentials, a 256-bit pre-shared key psk and a 112-bit client identity cid , are generated by the eID server and transmitted to the user’s system in channel BS . The trigger object BC provides the eCard API client application with the credentials.

Given our threat model, the attacker does not have local system access on the user’s system and is thus required to either brute-force the credentials or break the channel BS in order to intercept the credentials for CS . Given the fact that an eID server uses high-security modules and provides strong credentials we regard the brute-force approach as infeasible. Hence, given our threat model and its preconditions, in order to break channel CS an attacker is required to break BS , too.

So far, we have shown how man-in-the-middle attacks can be launched against BW , BS , and CS . In all cases, the TLS handshake is completed successfully, thus the first phase of the man-in-the-middle attack succeeded. At this point, an attacker can relay and modify messages of the upper layers. For example, in case of exploitable software vulnerabilities, an attacker might be able to exploit the eCard API client implementation.

4.3 Second Phase Failure

However, none of the above mentioned attacks complete the second phase. This is due to the intertwining of the Terminal Authentication and the TLS channels and it indeed prevents man-in-the-middle attacks to complete the second phase as described in the following. During an eID online authentication, a Terminal Certificate is transmitted as part of the Terminal Authentication [3]. The Terminal Certificate contains the two hash values of the X.509 certificates of the eID server and the web application server, $H_{TC}(CertW)$ and $H_{TC}(CertS)$. As soon as the Terminal Authentication is performed over the channel CS , the peer certificates $CertW$

and $CertS$ are checked against the hash values of the Terminal Certificates, i.e.

$$H(CertW) \stackrel{?}{=} H_{TC}(CertW)$$

and

$$H(CertS) \stackrel{?}{=} H_{TC}(CertS)$$

Due to the fact that the attacker creates its own peer certificate, $CertWA$ or $CertSA$ or both, with its own public keys, the hash values of the peer certificates of the TLS proxy do not match the ones in the Terminal Certificate, i.e.

$$H(CertWA) \neq H_{TC}(CertW)$$

and/or

$$H(CertSA) \neq H_{TC}(CertS)$$

The eID online authentication aborts immediately, if any of the hashes do not match. Furthermore, the eID client implementation must make sure, that *during and after* a successful online authentication, any subsequent connection in the channel BW undergoes this check. [This requirement is currently not stated in the specifications and enables us to man-in-the-middle the connection in the channel BW where the SAML response is sent to the web server.]

Furthermore, the attacker could modify the hash values of the certificates in the Terminal Certificate:

$$H_{TC}(CertW) := H(CertWA)$$

and/or

$$H_{TC}(CertS) := H(CertSA)$$

However, modifying the Terminal Certificate results in an immediate abort, as the validity of the Terminal Certificate signature is verified by the eID card with the public key of the signer stored in the eID card in secure memory. As a consequence, as soon as the Terminal Certificate is modified, the signature of the Terminal Certificate becomes invalid. As only a very limited number of authorities are trusted root signers of Terminal Certificates (CVCA), it is practically impossible to forge a TC signature. Hence, to sum up, it is not possible to perform a second phase man-in-the-middle attack.

5. PRACTICAL IMPLICATIONS

Interestingly, the set of cipher suites that are allowed to be used for BW is not restricted, thus the default set of cipher suites of TLS [6] applies. This default set of TLS cipher suites comprises eNULL – a cipher suite with no encryption. We suggest to restrict the set of allowed cipher suites for TLS channels in the context of the eID online authentication, e.g. to comply with [2], effectively preventing from non-encrypting cipher suites.

Personal data – after being transmitted as part of the secure messaging of the eID authentication – is often displayed on a web page to the user. In combination with a non-encrypting cipher suite, this enables an attacker to read the transmitted data when it is displayed on the web page. Furthermore, session cookies could be read.

The eID client implementation exposes a certain attack surface even inside the TLS channel *CS*. Whereas in traditional TLS, where connection establishment is handled in the handshake, here the connection is established, verified and possibly torn down only after a couple of messages have been transferred. To be more precise, Terminal Authentication is performed over the established connection in the channel *CS*. At this point, a man-in-the-middle can attack the eID client implementation, e.g. by modifying the TLV-encoded Certificate object. [With the current *Ausweis-App*, removing the Digital Signature element from the TLV-encoded Certificate leads to an application crash.] This underlines the risk that once the TLS handshake is performed, the attacker can attack the applications on the upper layers (server- and client-side, though server-side was not mentioned/analyzed here).

6. RELATED WORK

As the eID Online Authentication is actually in use since November 2010, so far, only few people have analyzed actual implementations. Probably the closest work to ours is that of Morgner and Oepen [10]. The authors outline and perform relay attacks which relay access to the eID card remotely over the network. Thus, the location of the eID card and the location of the eID card reader can be separated. However, relay attacks require system-level access on the user's computer. In contrast, our work does not require system-level access, instead it focusses on network-level attacks.

On a theoretical level, Dietrich has analyzed a variety of attacks in [7]. However, none of these attacks target the SAML integration of Extended Access Control. Instead, Dietrich has dealt with man-in-the-middle attacks against Terminal and Chip Authentication.

Eichholz et al. [8] provide an overview of how Extended Access Control can be mapped to Security Assertion Markup Language. Thus, their work is the basis for our work. Additionally, we outline a specific threat model and show at what stage of the communication in the eID Online Authentication, man-in-the-middle attacks fail.

7. CONCLUSION

In this work, we presented a specific threat model focussed on the network communication in the context of the eID Online Authentication. Our work outlines man-in-the-middle attacks against the three TLS channels that are subject to the eID Online Authentication. The attacks are divided into two phases based on reasonable layers. Furthermore, we show step by step, why the attacks finally fail due to the intertwining of the TLS peer certificates with the Terminal Certificate.

However, certain risks remain, especially at the end of phase one where an attacker can easily provide malicious input to the eID client as well as the eID server. These implementations must make sure, that input is correctly validated.

8. ACKNOWLEDGEMENTS

We thankfully acknowledge support from and interesting discussions with Felix C. Freiling.

References

- [1] TLS-RSA-PSK Patch for OpenSSL 1.0.0c, OpenSSL license. <http://www.internet-sicherheit.de/service/tools/patches/>.
- [2] Technische Richtlinie Kryptoverfahren. BSI Technical Guideline BSI TR-02102, June 2008.
- [3] Advanced Security Mechanisms for Machine Readable Travel Documents - Extended Access Control (EAC), Password Authenticated Connection Establishment (PACE) and Restricted Identification (RI). BSI Technical Guideline BSI TR-03110, Sept. 2010.
- [4] eCard-API-Framework - Protocols. BSI Technical Guideline BSI TR-03112-7, Sept. 2010.
- [5] Technische Richtlinie eID-Server. BSI Technical Guideline BSI TR-03130, Oct. 2010.
- [6] T. Dierks and E. Rescorla. The Transport Layer Security (TLS) Protocol Version 1.2. RFC 5246 (Proposed Standard), Aug. 2008. Updated by RFCs 5746, 5878.
- [7] C. J. Dietrich. Web-Authentisierung mit dem elektronischen Personalausweis (ePA/nPA). Master's thesis, 2010.
- [8] J. Eichholz, D. Hühnlein, and J. Schwenk. SAMLizing the European Citizen Card. In A. Brömme, C. Busch, and D. Hühnlein, editors, *BIOSIG*, volume 155 of *LNI*, pages 105–116. GI, 2009.
- [9] P. Eronen and H. Tschofenig. Pre-Shared Key Ciphersuites for Transport Layer Security (TLS). RFC 4279 (Proposed Standard), Dec. 2005.
- [10] F. Morgner and D. Oepen. "Die gesamte Technik ist sicher" – Besitz und Wissen: Relay-Angriffe auf den neuen Personalausweis, 2010.
- [11] J. Sunshine, S. Egelman, H. Almuhiemedi, N. Atri, and L. F. Cranor. Crying Wolf: An Empirical Study of SSL Warning Effectiveness. In *USENIX Security Symposium*, pages 399–416, 2009.